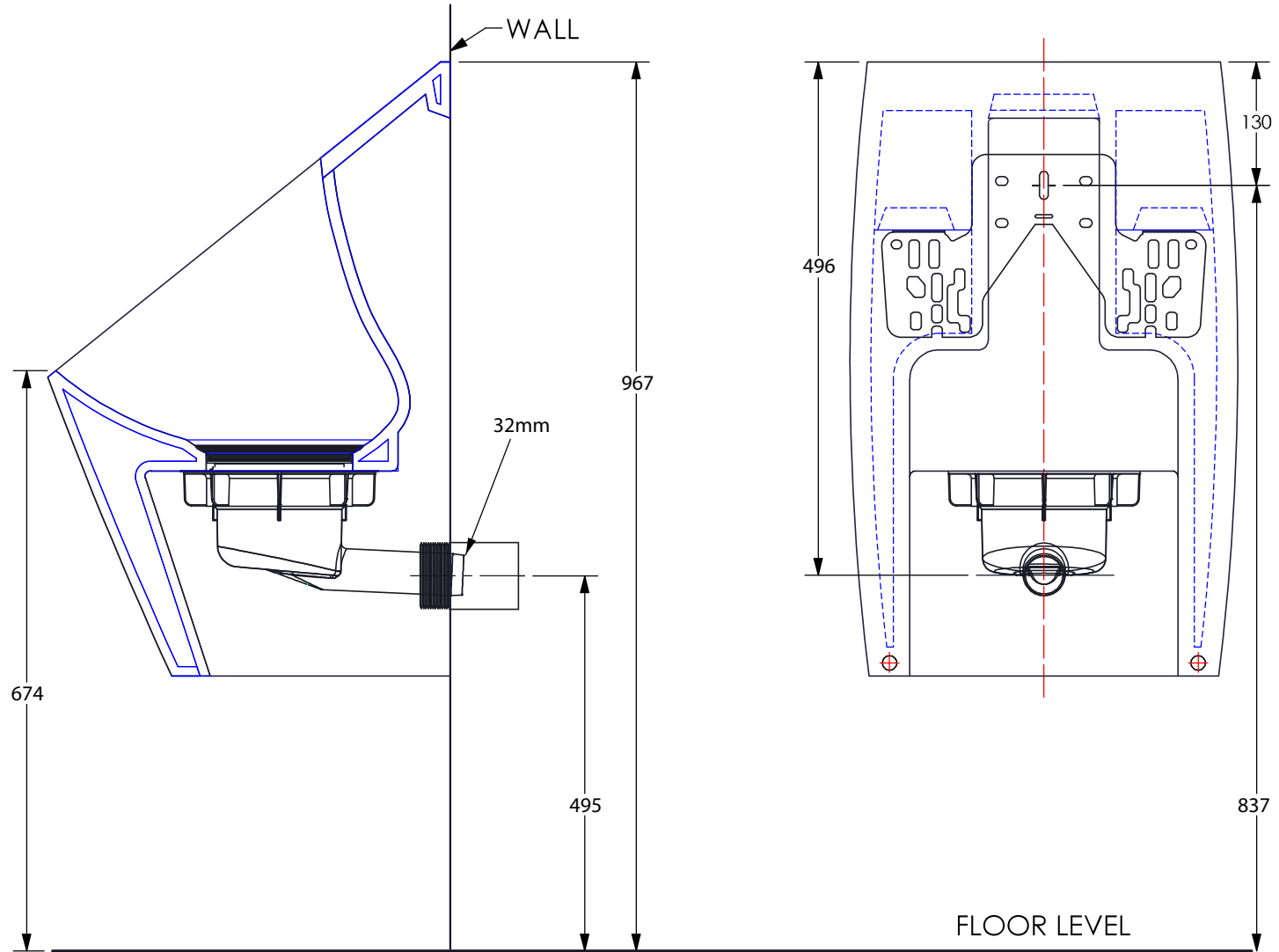


Hybrid Urinal H-1 Horizontal Housing



<p>PROPRIETARY AND CONFIDENTIAL THE INFORMATION CONTAINED IN THIS DRAWING IS THE SOLE PROPERTY OF FALCON WATERFREE TECHNOLOGIES. ANY REPRODUCTION IN PART OR AS A WHOLE WITHOUT THE WRITTEN PERMISSION OF FALCON WATERFREE TECHNOLOGIES IS PROHIBITED.</p> <p>FALCON WATERFREE TECHNOLOGIES 11835 WEST OLYMPIC BLVD. LOS ANGELES, CA. 90064 310.209.7250 office 310.209.7260 fax</p>	<p>UNLESS OTHERWISE SPECIFIED: DIMENSIONS ARE IN (mm) TOLERANCES: FRACTIONAL ± N/A ANGULAR: ± 1° NO DECIMAL PLACE ± 2 N/A ± .</p> <p>INTERPRET GEOMETRIC TOLERANCING PER:</p>	 <p>FALCON WATERFREE TECHNOLOGIES</p> <p>MATERIAL Sanitary Ceramic / Vitreous China FINISH See Falcon Grading List WEIGHT Approx. 16kg</p>	NAME	DATE	TITLE:			
			DRAWN	R. Avetisian	6/13/08	Lava Waterfree Urinal Installation		
			CHECKED	.	.	SIZE	PART NO.	REV
			ENG APPR.	.	.	A	06100-001 Lava	v1
			MFG APPR.	.	.	SCALE: 1:6 DO NOT SCALE DRAWING SHEET 2 OF 4		
Q.A.	.	.						

TITLE: Lava Waterfree Urinal Installation, PART NO.: 06100-001 Lava, REV.: v1

CURRENT AS OF: 6/13/08, Supersedes all prior 06100-001 Lava documents